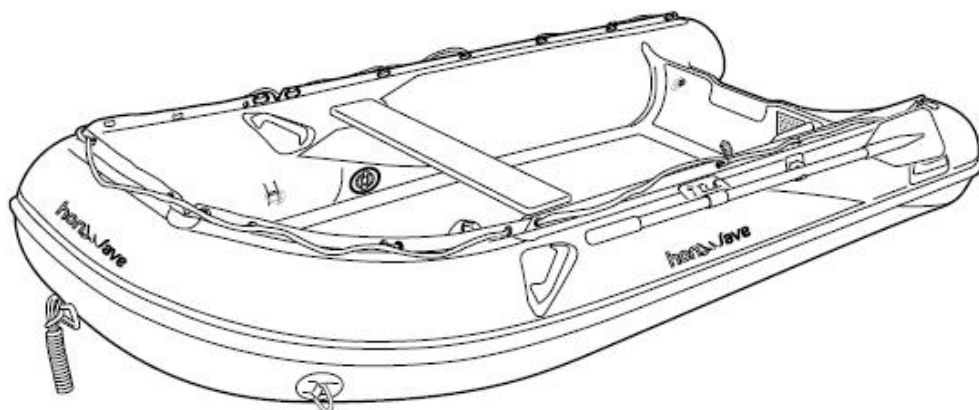


# HONDA



ВНОСИТЕЛ:

„Премиум Мотор“ ООД  
София, бул. Андрей Ляпчев № 34  
тел. 02/ 423 58 79

1.

,

.

:

	T20	T25		T30	T35	T40	T24	T27	T32	T38
	SE1	SE1	AE1	AE1	AE1	AE1	IE1	IE1	IE1	IE1
И										
	2.02	2.50		2.97	3.53	3.95	2.40	2.67	3.20	3.76
	27	34	45	54	73	86	33	34	39	48
	250	440		610	700	1050	400	664	735	950
	400	435		430	450	490	425	425	425	440
	1120x 590x 290	1130x 600x 330	1140x 660x 350	1140x 660x 350	1230x 740x 370	1230x 430x 810	1120x 600x 320	1120x 600x 330	1120x 595x 330	1230x 720x 400
	2/-	3/-		4/-	5/-	7/-	3/-	3/1	4/-	5/1

---

A1.

B1.

B2.

B4.

B5.

B6.

B7.

B9.

B10.

B11.

B13.

B14.

kill-switch

C1.

-

-

-

-

-

-

-

-

-

-

-

D1.

D2.

D3.

D4.

D5.

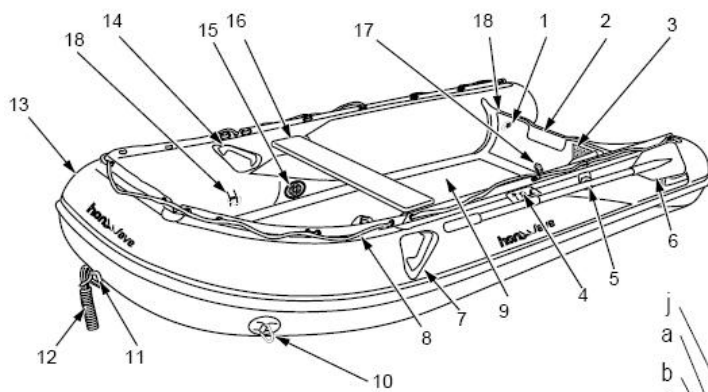
D6.

D7.

E1.

E2.

E3.



Exclusively designed for  
**HONDA**  
**MARINE**  
 by  
 SUN SELECTIONS CO., LTD.  
 Weihai, China

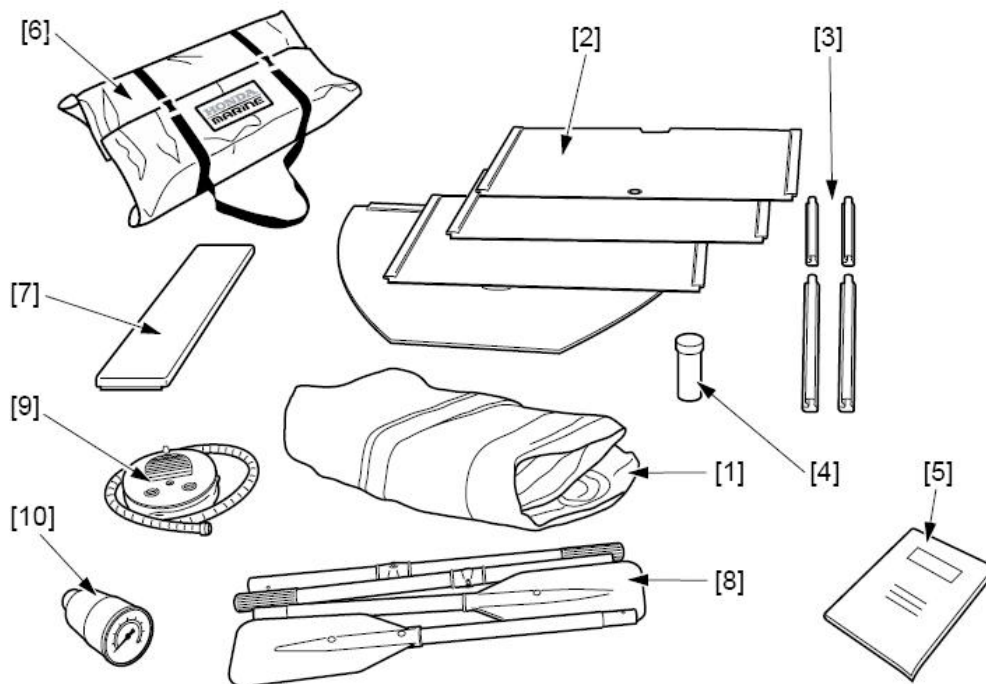
**CE 0098**

Boat Type. MX-\_\_\_/OAL (\_\_\_-\_\_\_)  
 Length \_\_\_ M  
 Category \_\_\_ C  
 Nos. of Person. ( + ) \_\_\_ J-  
 Max. load capacity ( + ) \_\_\_ kg  
 Max. motor power ( ) \_\_\_ kw \_\_\_ HP  
 Max. motor weight \_\_\_ kg  
 Working pressure ( ) Tube. \_\_\_ bar  
 Keel. \_\_\_ bar

(Honda VIN.) T. \_\_\_\_\_

j  
a  
b  
c  
d  
e  
f  
g  
h  
i

1. ....
2. ....
3. ....
4. ....
5. ....
6. .... (2 .)
7. ....
8. ....
9. .... ( )
10. .... (2 .)
11. ....
12. ....
13. ....
14. / .....
15. | .....
16. ....
17. ....
18. .... (4 .)
- a. ....
- b. .... (m)
- c. .... Europe Categorie 94/25/CE
- d. ( / ) ..... (kg)
- e. ( / ) ..... (kg)
- f. ( ) ..... (kw) (HP)
- g. .... (kg)
- h. .... Tube (bar) - / (bar)

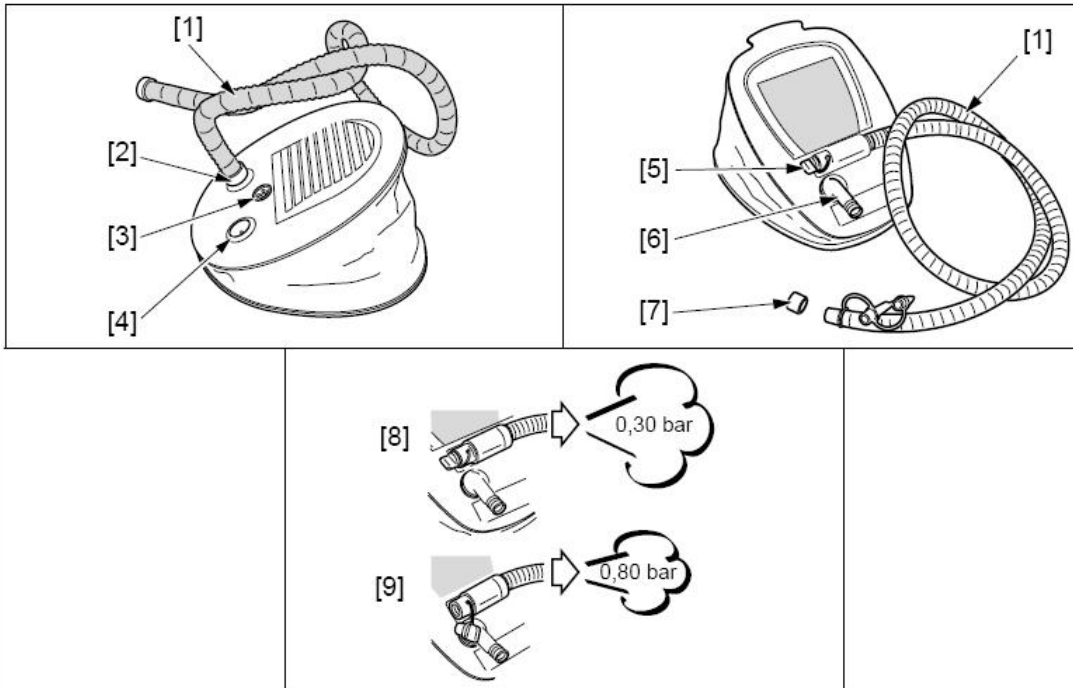


**CAUTION:**

• , . :

	T20 SE1	T24 IE1	T25 SE1	T25 AE1	T27 IE1	T30 AE1	T32 IE1	T35 AE1	T38 IE1	T40 AE1
[1]	1									
[2]	1 <sup>(a)</sup> /4	1 <sup>(b)</sup> -	1 <sup>(a)</sup> /5	1/3	1 <sup>(b)</sup> -	1/4	1 <sup>(b)</sup> -	1/4	1 <sup>(b)</sup> -	1/4
[3]	-	-	-	2	-	2	-	4	-	4
[4]	1									
[5]	1									
[6]	1	1	1	1	1	1	1	2	1	2
[7]	1									
[8]	2									
[9]	1									
[10]	1	1 <sup>(c)</sup>	1	1 <sup>(c)</sup>	1	1 <sup>(c)</sup>	1	1 <sup>(c)</sup>	1	1

(a). "S" : .  
 (b). "I" : .  
 (c). "I" : - .



**CAUTION:**

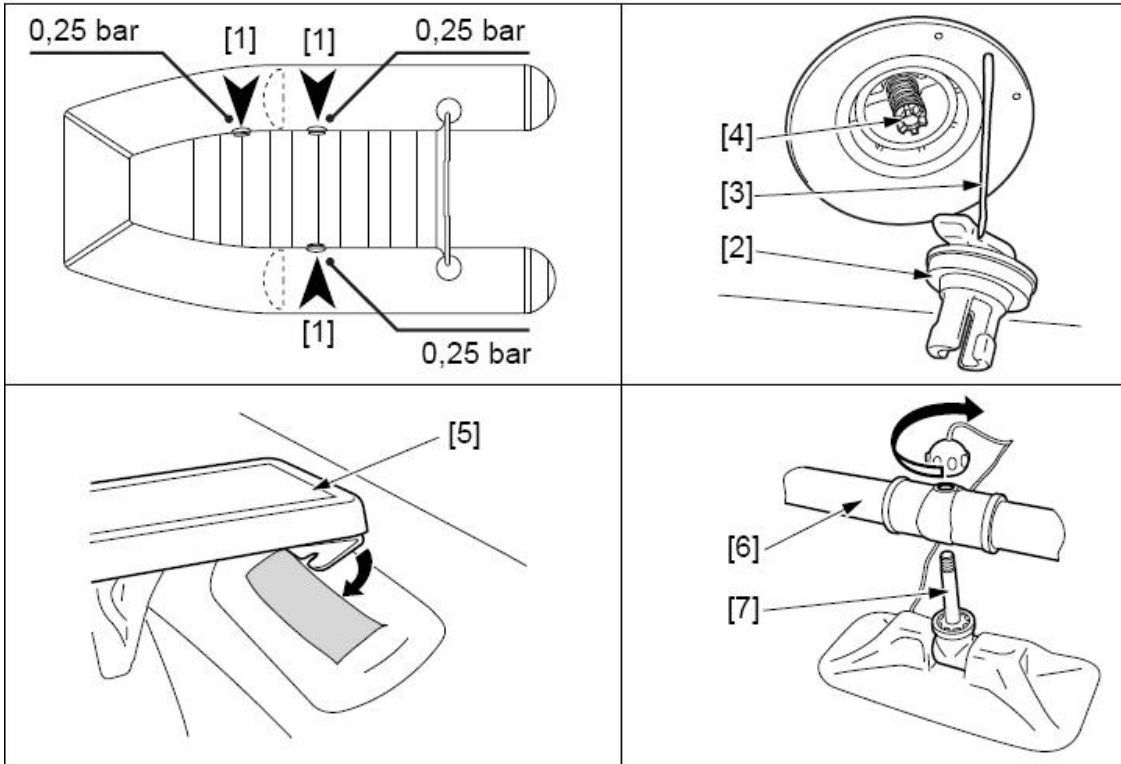
- 

( : T24 IE1, T27 IE1, T32 IE1 T38 IE1) 0.35 bar.

[5] (T24 IE1, T27 IE1, T32 IE1 T38 IE1) [8], 0.30 bar.  
 , [9], 0.80 bar ( )

- [1]
- [2]
- [5]
- [3]
- [4]

[6]



**CAUTION:**

- 
- 

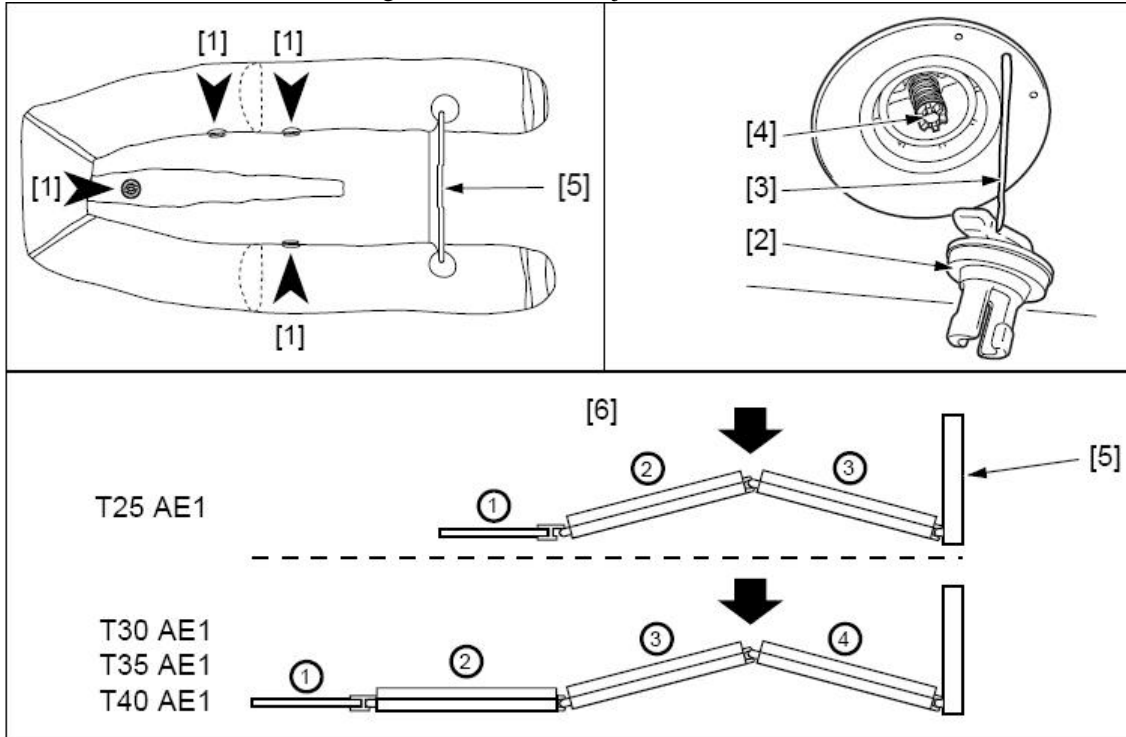
**T20 SE1, T25 SE1 ( ):**

- 1.
2. [2] [1] [3].
3. : 1/2



- 4. [4].
- 5. [5].
- 0.25 bar.
- 6. [6] [7].

om\_T40\_2005\_D-GB-F.book Page 21 Mercredi, 15. juin 2005 1:25 13



**M** T25 AE1, T30 AE1, T35 AE1, T40 AE1 ( )

**CAUTION:**

- 
- 1.
- 2. [1]
- 3. [2] [3].
- [4]

**NOTE:**

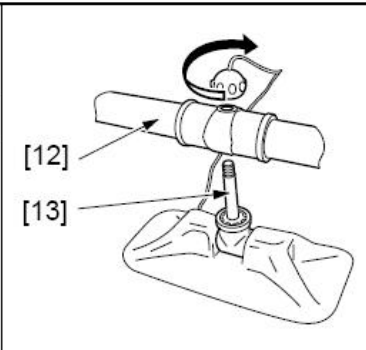
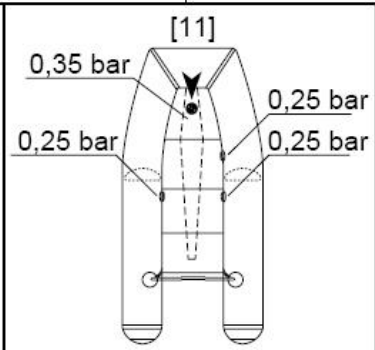
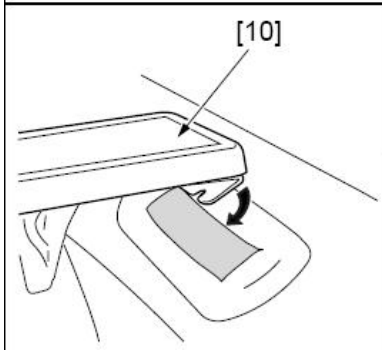
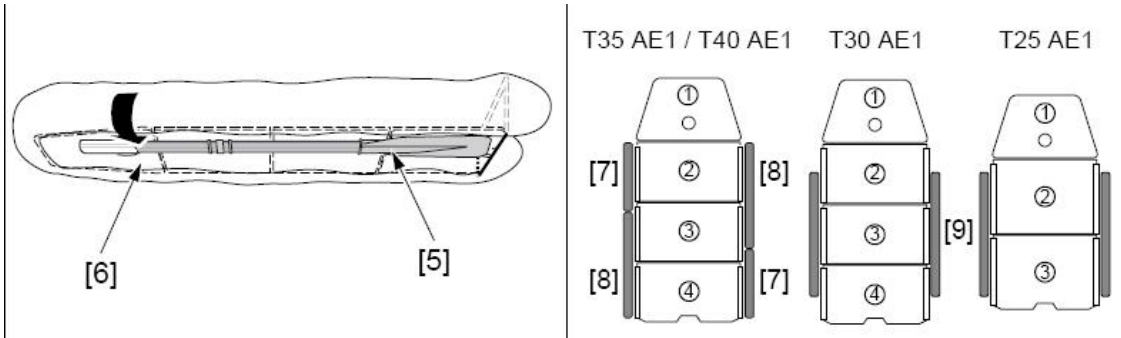
- 4. 1,

5. 4 (no. 3 T25 AE1) [5]

6. 2 1.  
7. T25 AE1: 2 3

[6].

4 3 2  
[6].



8. [5]

[6]  
9. T25 AE1: [9] 2

3.  
T30 AE1: [9] 3.

T35 AE1 T40 AE1: [7] [8].

10. 9.

T35 AE1 T40 AE1: ([7] [8]).

11. [10].

**CAUTION:**

- 
-

12.

( , : 0.25 bar).

13.

14.

[11] (

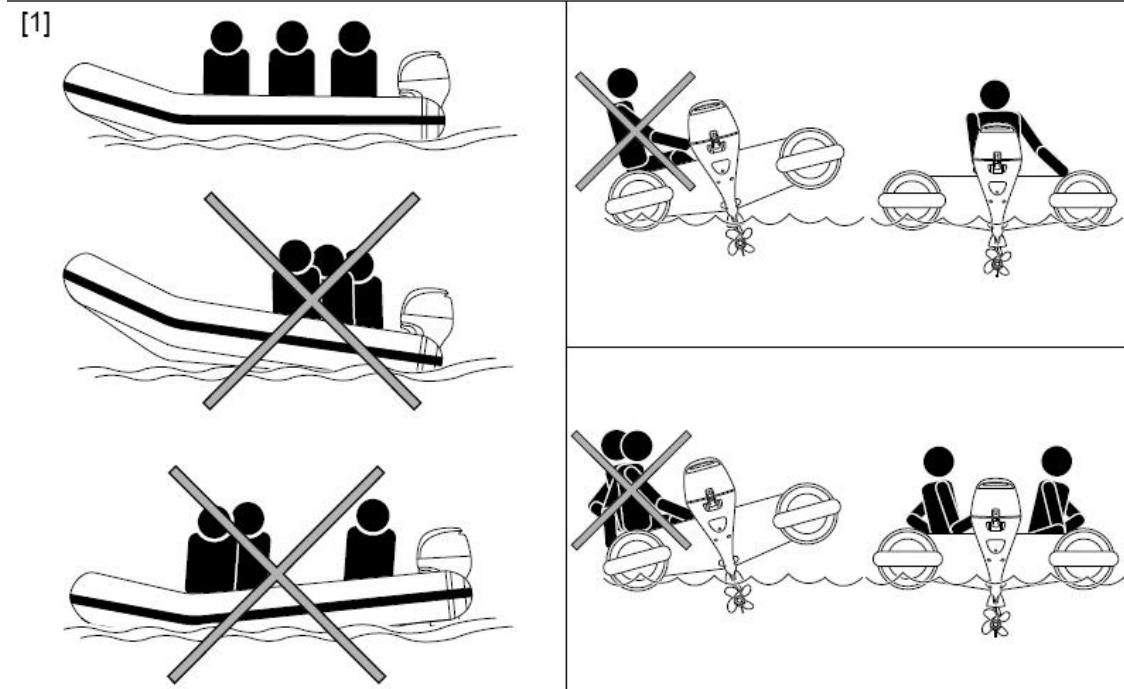
: 0.35 bar).

15.

[12]

[13].

om\_T40\_2005\_D-GB-F.book Page 27 Mercredi, 15. juin 2005 1:25 13



[1],

**NOTE:**

- 1.
- 2.

**CAUTION:**

- 

!

1.

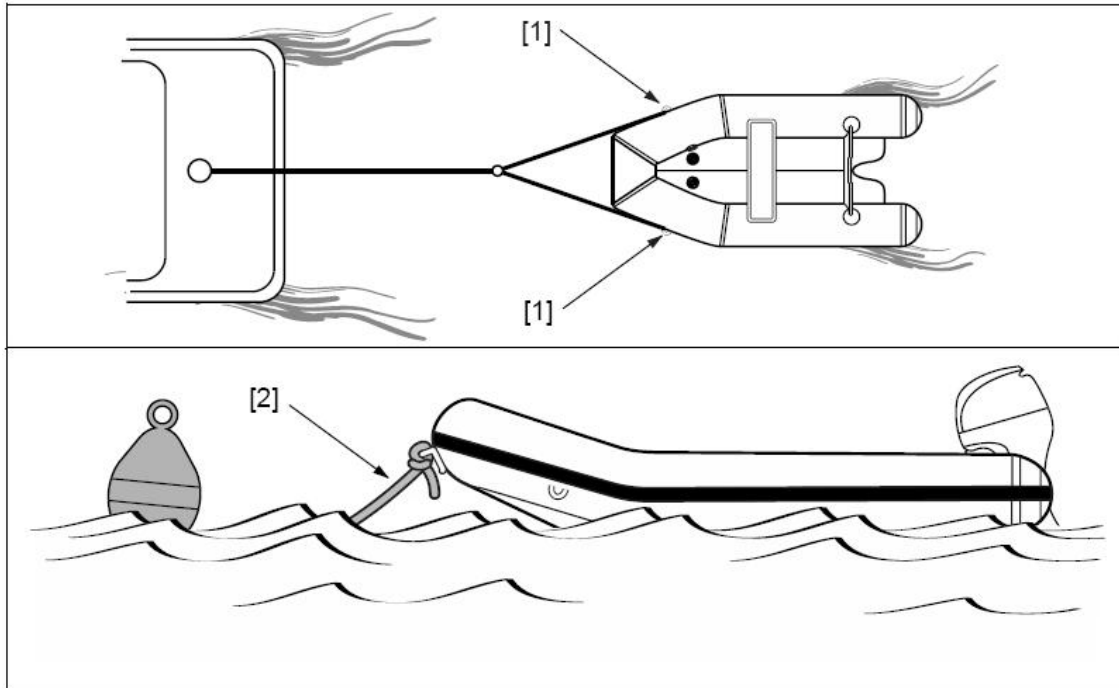
2.

3.

**NOTE:**

SA

FETY  
B1 B2 B4  
B6 B12 D7  
B12 B13 B15



1.

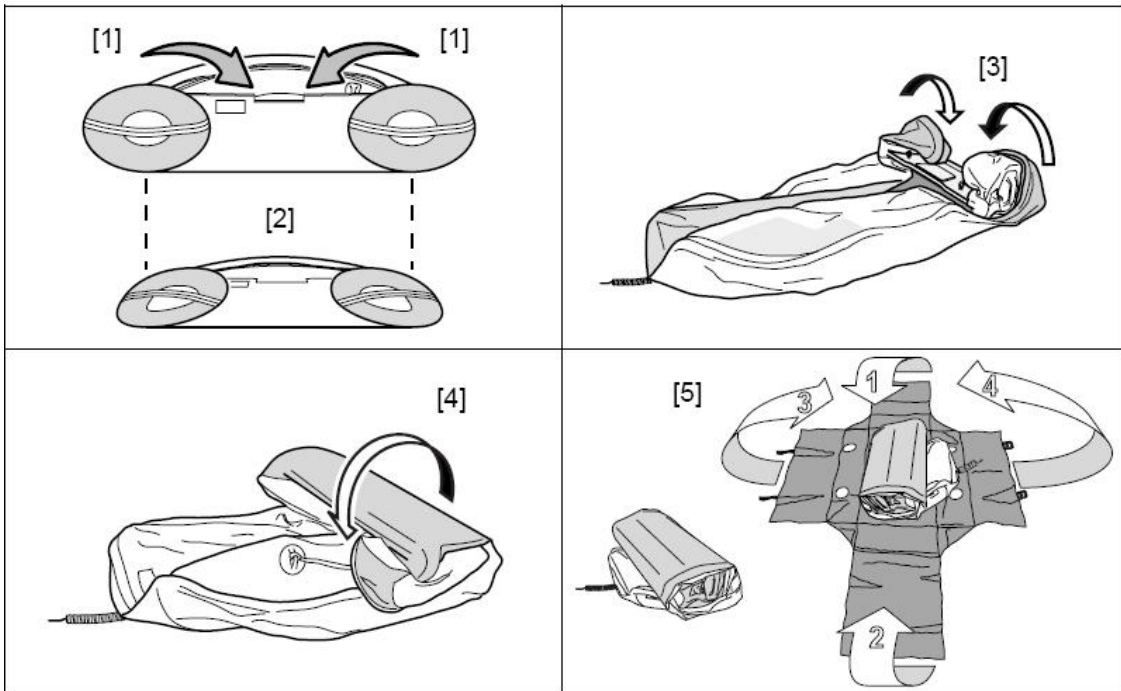
2.

3.

[1].

[2].

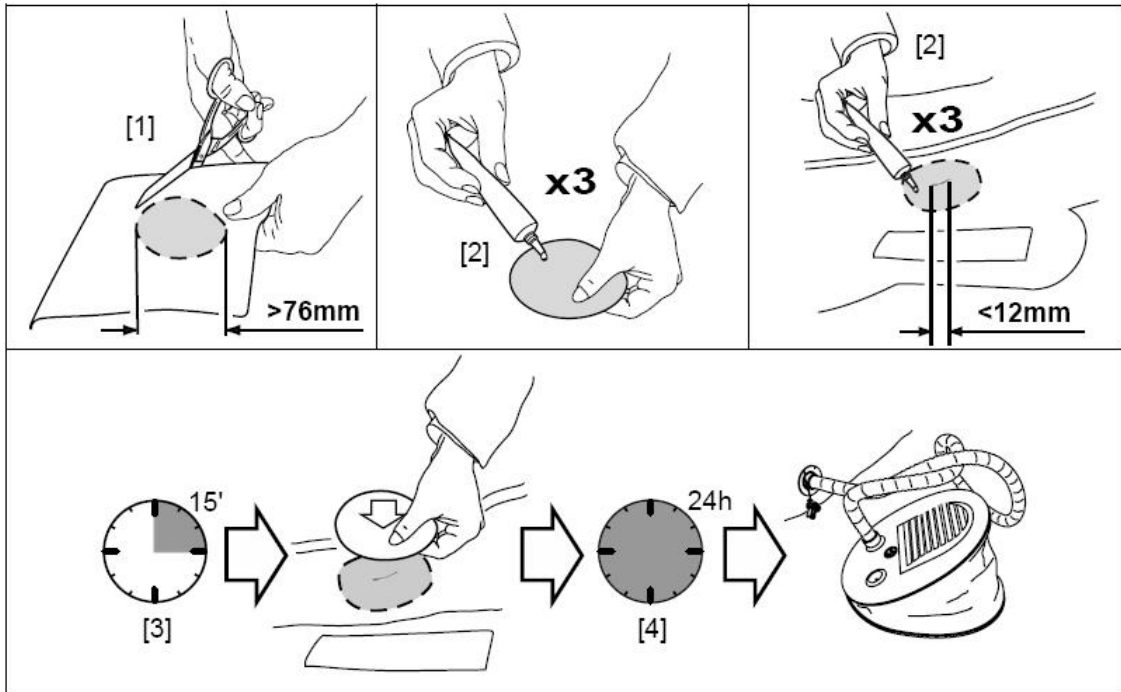
( )



- /
- /
- /

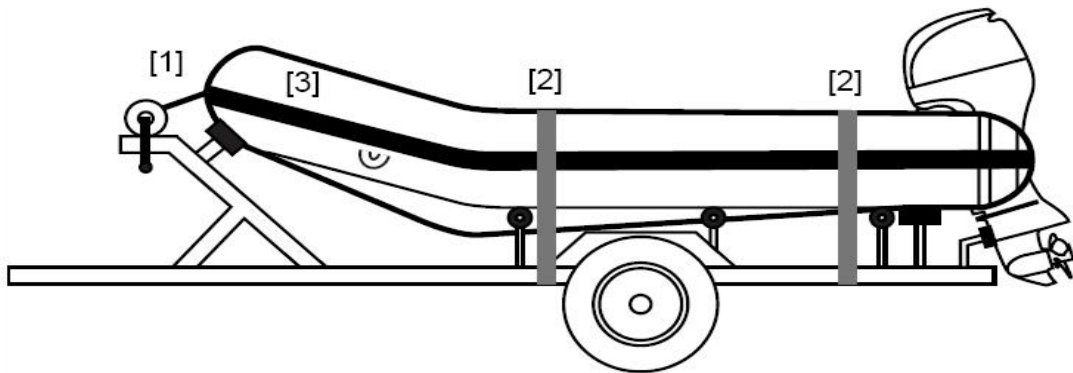
**NOTE:**

1. 1/4 :
- 2.
3. "A":
4. "A":
5. (
6. "A")
7. [3].
- 8.
- 9.



1. - 12 - 76 ,
- 2.
3. [2]
- 5
4. 10 - 15 [3].
- 5.
6. 24 [4].

12



(

**CAUTION:**

- 
- 
- 

- 1.
- 2.

- 3.
- 4.
- 5.
- 6.

- 7.
- 8.

[3].

[1],